

# SANO PIV WALL

WALL MOUNTED POSITIVE INPUT VENTILATION UNIT



# SANO PIV WALL

WALL MOUNTED POSITIVE INPUT VENTILATION UNIT



## APPLICATION

The **SANO PIV WALL** is a wall mounted ultra-quiet, low energy, low maintenance, home ventilation unit.

The unit is designed to help ventilate a home using the well-established **Positive Input Ventilation (PIV)** principle.

PIV units have been preventing and curing condensation dampness related problems in homes for decades. They are also used to control other indoor air pollutants and have even proven to be an effective means for reducing Radon gas in some properties

**CONDENSATION CONTROL,  
IMPROVED INDOOR AIR QUALITY  
& RADON CONTROL FOR HOMES**

**ULTRA QUIET  
VERY LOW RUNNING COSTS  
WIDE OPERATING RANGE  
VARIOUS CONTROL OPTIONS**

## OPERATION

External air is drawn into the **SANO PIV WALL** unit and passes through a filter before entering the home. The filtered air is typically supplied at ceiling level in a location central to the home i.e. the hallway where it mixes with the otherwise wasted warm air that gathers at ceiling level due to stack effect.

Integral controls allow the **SANO PIV WALL** unit to be set to suit the individual requirements of the home. Airflow from the unit to the home is automatically regulated via an integral temperature sensor which optimises the energy benefit of the unit while ensuring that sufficient air is always supplied to help control moisture and other pollutant levels in the home.

## FEATURES / BENEFITS

**Unique Design** Allowing for simple multi handed configuration.

**Discreet** Unit appearance designed to blend well with any home.

**Low energy** Ultra-low quiet fan/motor assembly.

**Robust** Fan casing construction built to last.

**Low maintenance** Large G2 grade filter.

**Integral, multi-functional controls** with wide airflow and temperature settings which allow the unit to be fine-tuned to suit the individual requirements of a home and its occupants. These controls include:

- 6 unit settings to choose from to suit the size, layout, thermal properties and moisture production in the home.
- Summer mode function with adjustable trigger temperature setting with adjustable decreased airflow setting.
- Override Boost mode to operate the unit at its maximum airflow by means of a user switch.

**Warranty** Each **SANO PIV WALL** has a 5 Year Warranty as standard.\*



## PERFORMANCE DATA

### Unit Setting

The unit setting is selected by the installer to suit the size, layout, thermal properties and moisture production in the home.

| Unit Setting | Spigot Outlet<br>(5m duct 2x bends) |       | Grille Outlet |       |
|--------------|-------------------------------------|-------|---------------|-------|
|              | Flow Rate                           | Watts | Flow Rate     | Watts |
| 1            | 13                                  | 3.7   | 14            | 4.5   |
| 2            | 17                                  | 4.8   | 17            | 5.2   |
| 3            | 21                                  | 6.4   | 21            | 6.9   |
| 4            | 25                                  | 9.2   | 25            | 9.3   |
| 5            | 29                                  | 11.1  | 29            | 12.7  |
| 6            | 33                                  | 16.8  | 34            | 16.8  |

\*The power consumption shown is Normal mode. \*\*Filter change interval is indicative, high pollution and use of Override Boost mode will affect filter life.

## MODES

**Normal** The unit will run in this mode for the vast majority of its operational time until the unit's integral temperature sensor switches it to Heat Recovery or Standby mode or the Override Boost mode (if connected via a suitable switch) is activated by the occupants.

**Summer Mode** The unit can be set to decrease in speed when the supply air temperature reaches the Summer Mode trigger temperature. This can save energy, increase the service intervals and prevent undesirable warm air being introduced unnecessarily into the home e.g. during hot summer days. This function can be disabled if continuous running is required e.g. radon gas control.

**Override Boost** The unit's automatic controls can be overridden to operate the unit at its maximum airflow by means of a user switch hard wired to the relevant connections within the unit.

## INSTALLATION TYPES

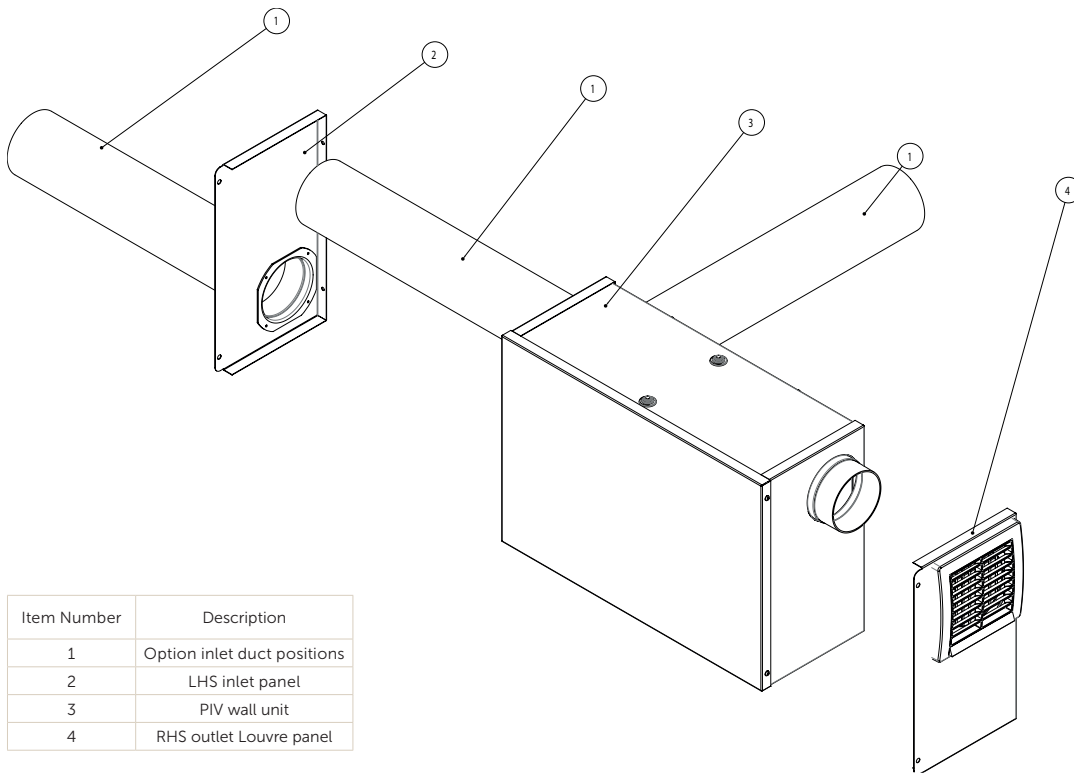
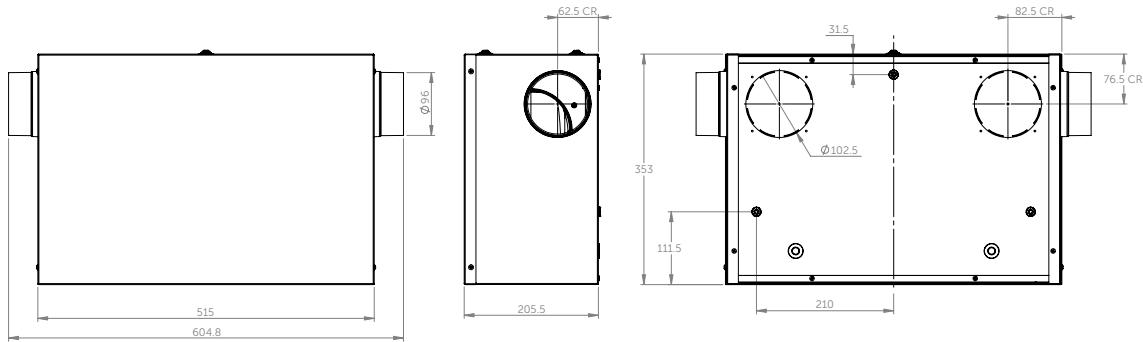


## ACCESSORIES

| Description             | Product Code |
|-------------------------|--------------|
| Grille side panel left  | 410-PIV-GE-L |
| Grille side panel right | 410-PIV-GE-R |

## DIMENSIONAL DATA

Dimensions in mm



| Item Number | Description                 |
|-------------|-----------------------------|
| 1           | Option inlet duct positions |
| 2           | LHS inlet panel             |
| 3           | PIV wall unit               |
| 4           | RHS outlet Louvre panel     |

Inlet options from left hand side. Outlet Louvre accessory shown right hand side.

**TEL:** +44 (0) 1384 275800, **FAX:** +44 (0) 1384 275810, **E-MAIL:** RESIDENTIAL@ELTAFANS.CO.UK  
46 THIRD AVENUE, PENNETT TRADING ESTATE, KINGSWINFORM, WEST MIDLANDS, DY6 7US, UK

[WWW.HOMEVENT.CO.UK](http://WWW.HOMEVENT.CO.UK)

\*First year of warranty covers parts and labour. Following this period the warranty covers replacement parts only. Warranty is subject to inspection and maintenance having been carried out in accordance with our literature and terms and conditions of sale. Proof of purchase, periodic inspection and maintenance will be required in the event of any warranty claim.

Elta Fans Limited has a policy of continuous product development and improvement and therefore reserves the right to supply products which may differ from those illustrated and described in this publication. Confirmation of dimensions and data will be supplied on request.

EFR. PIV WALL. JAN 2018.

A BRAND OF BUILDING SERVICES